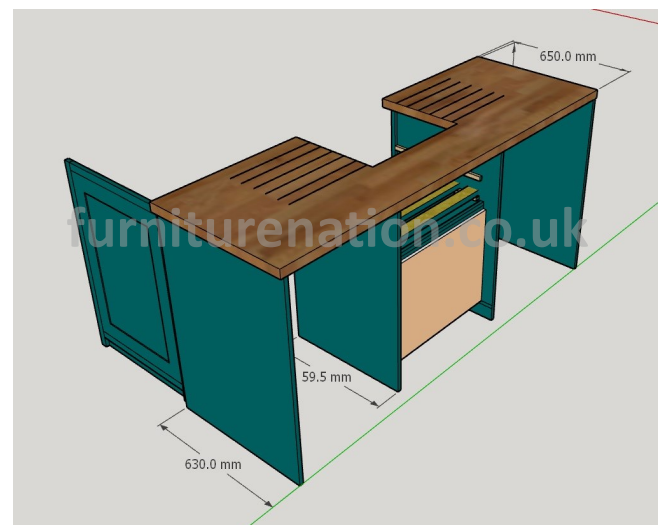
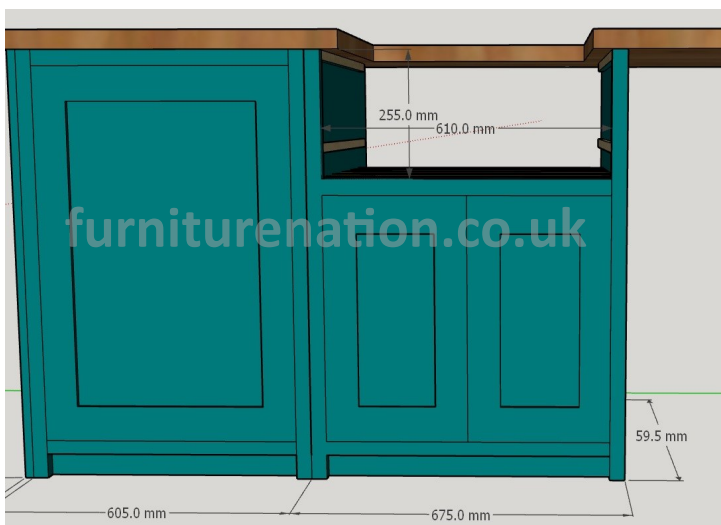
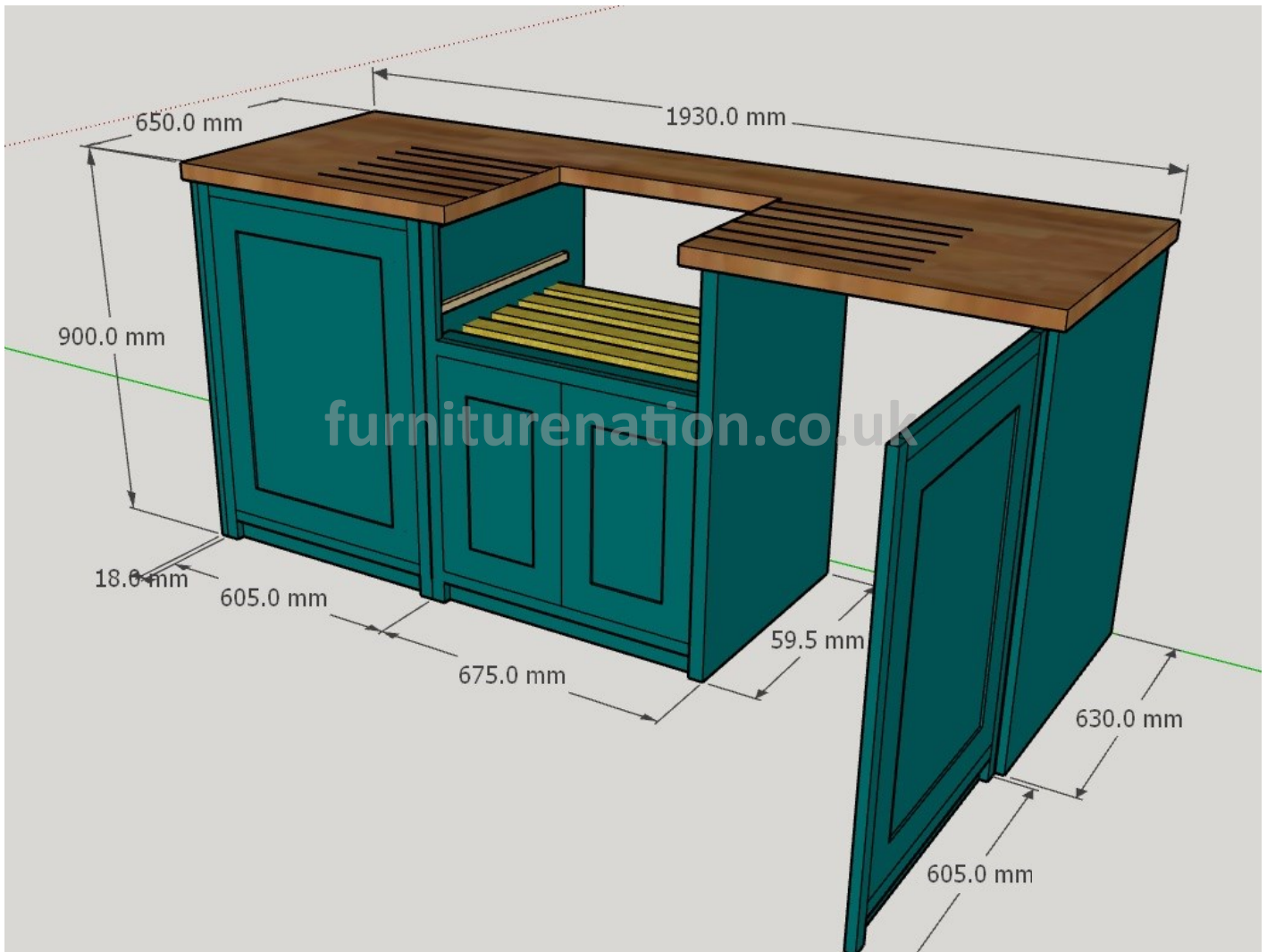


Traditional style Belfast utility Fitment



Sink opening dimensions

Rear voids