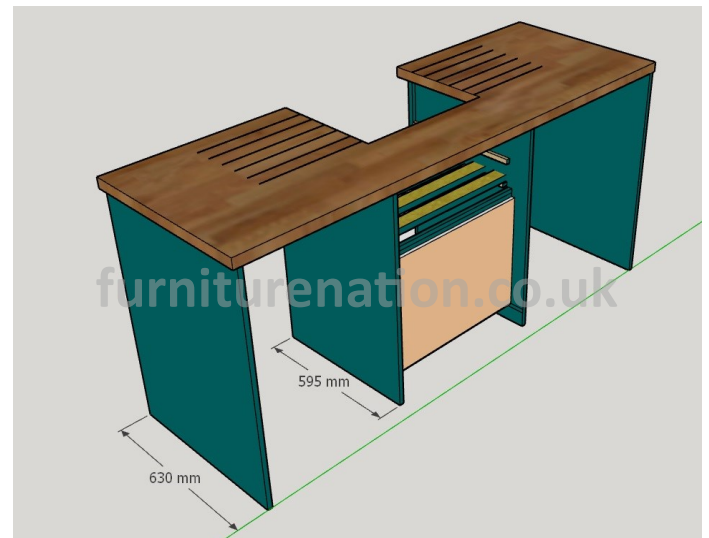
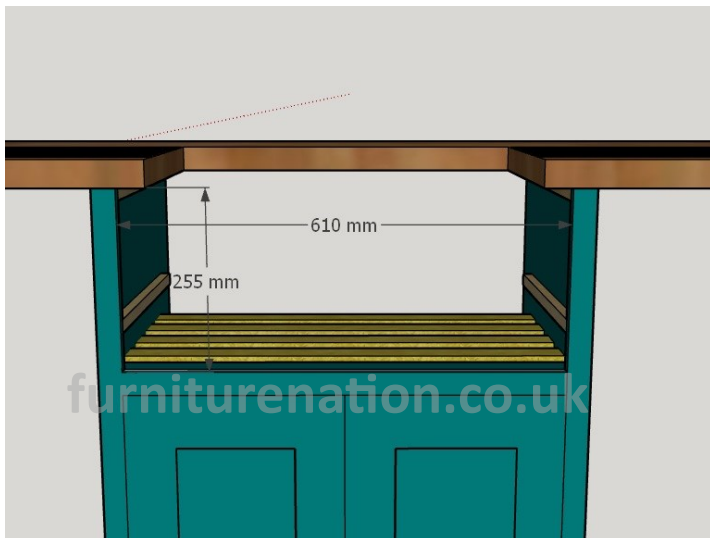
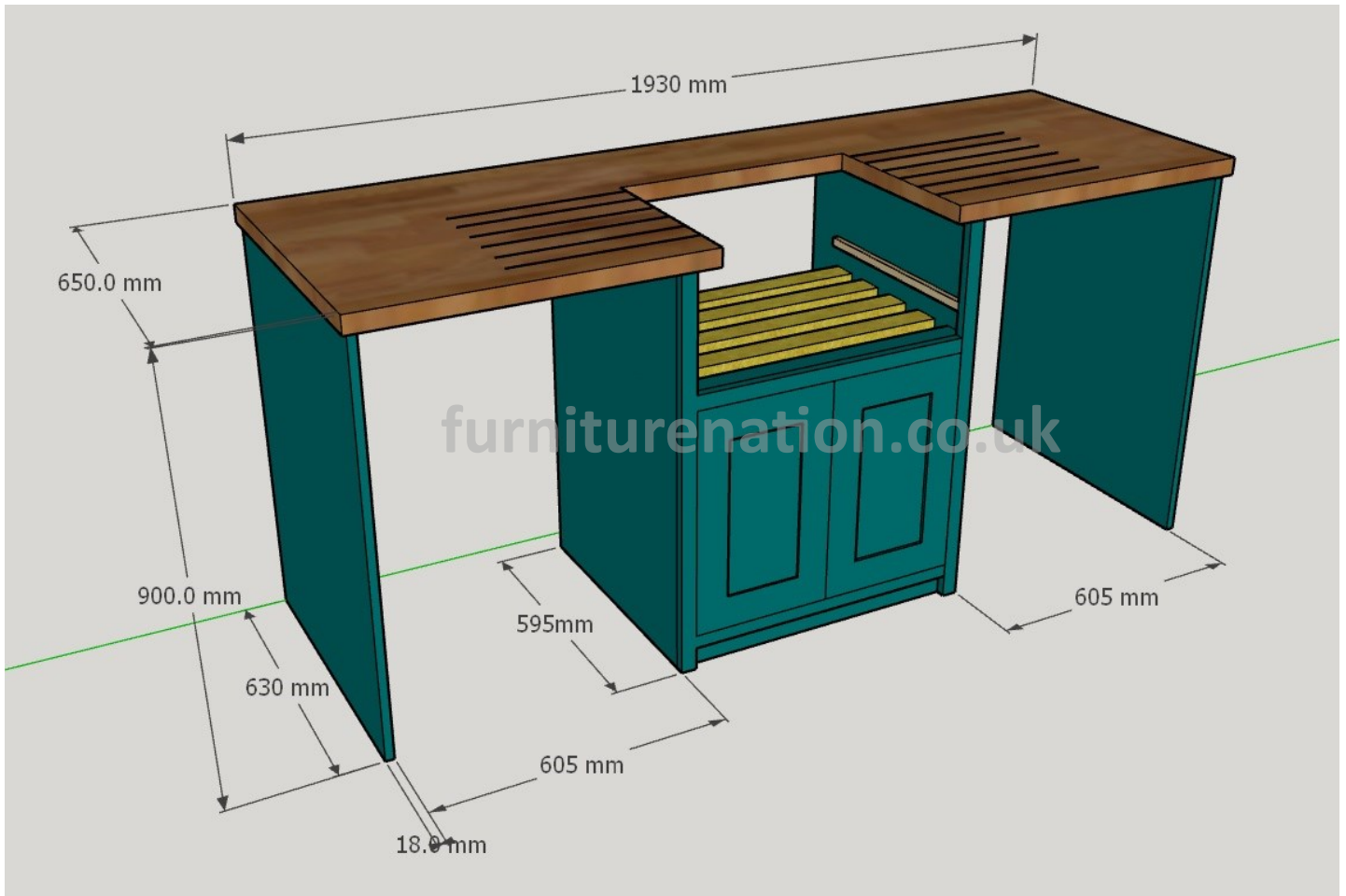


# Traditional style Belfast utility Fitment—open



Sink opening dimensions

Rear voids